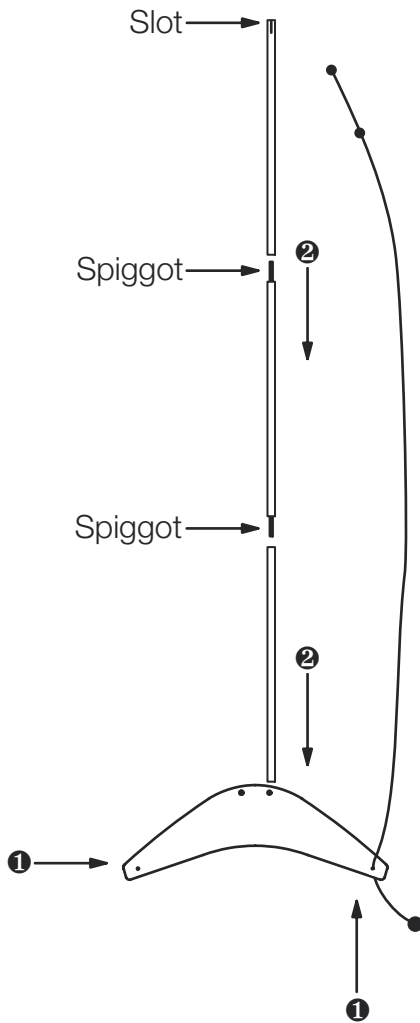


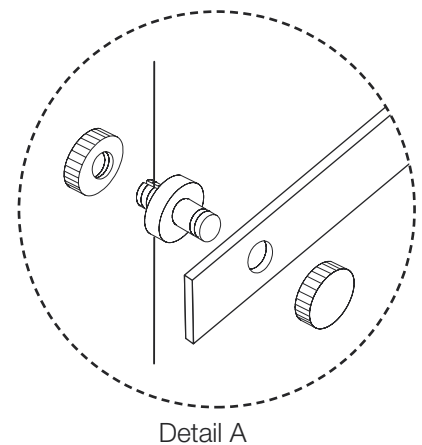
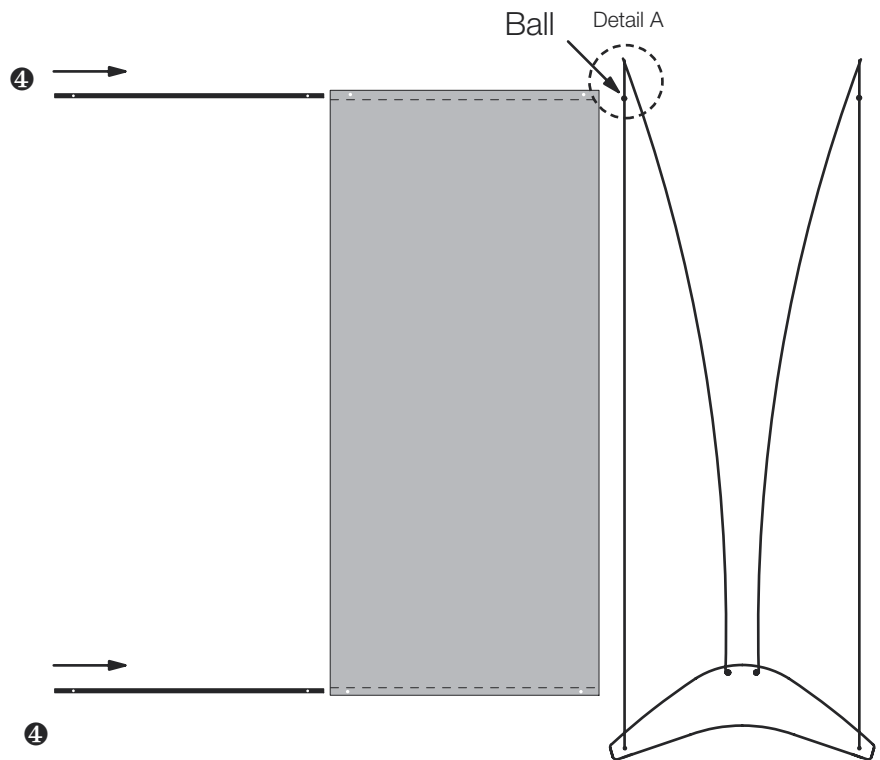
## Assembly

Around three minutes

### Assemble frame



### Attach banner graphic



1. Pass end of cable with small ball up through hole in base.
2. Assemble mast  
The top section has a slot at top to receive the cable.  
The middle section has a spigot at both ends.  
Ensure the bottom section is the correct way round to receive the spigot.
3. Gently pull the mast forward and slide ball into slot.
4. Insert flat battens into the banner pockets so the holes in each line up.
5. Attach two cable fixings above the balls on each cable. The ball ensures the banner is level.
6. Remove the front thumb screws from the cable fixings and attach the banner by placing it on to the spigots and screwing the thumb screws back on.
6. Repeat for the bottom batten.