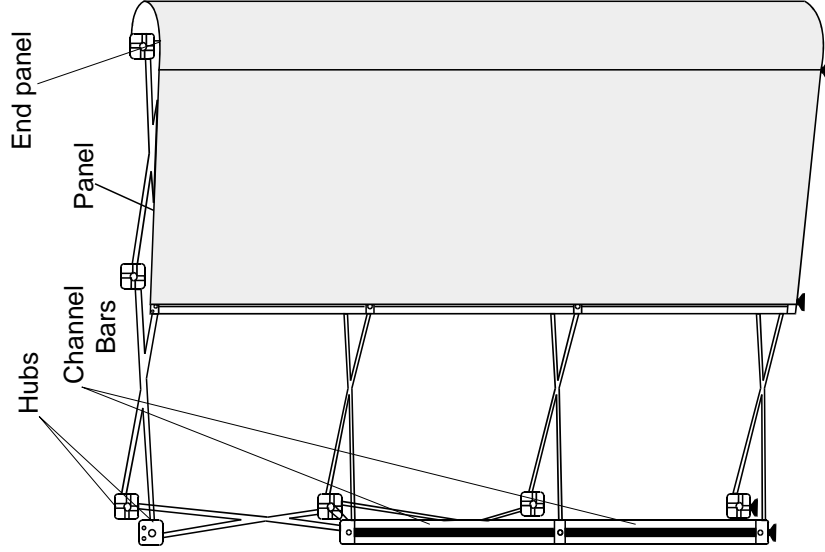


POP PLUS / SPIDER SET-UP INSTRUCTIONS

1 Place system frame on floor with screws indicating top. Expand upwards & outwards and secure frame connectors.

Pop-Up display systems are made to be set-up and taken down in minutes. The frames are made from light weight, durable components that are guaranteed to last for as long as you own your system.



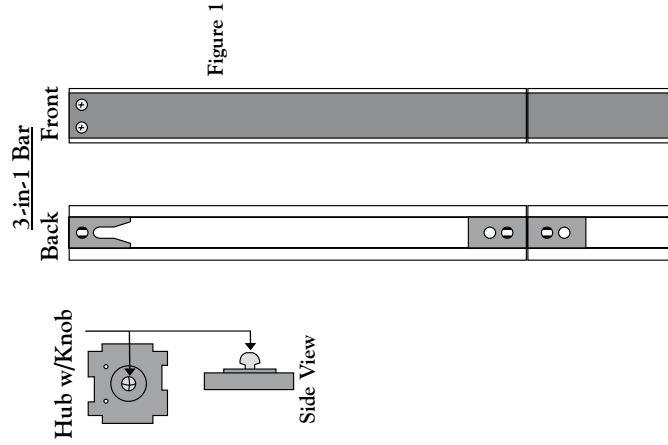
Note: If lights are ordered, you will find them in the light compartment in the lid of the case or in the black rectangular case.

3 Holding panel as shown, hang panels by hooking notch on front of panel over screws (on top hubs). Edge of panel should be aligned with center of the channel bar. Radius end panels are attached from front side first. (figure 1)

2 To attach top channel bars, slide channel bar top onto top hub, then snap bottom over hub. Reverse procedure to attach bottom channel bars.

4 Light slides into light adapter, which is attached to the hub.

SPIDER w/3-in-1 Bar SET-UP INSTRUCTIONS



1

Find the TOP of your 3-in-1 channel bar. The top will have 2 SCREWS sticking out of the front of the top of the bar. (see Figure 1)

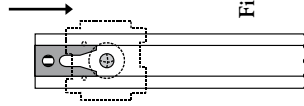


Figure 2

2

Take the top of the bar and allow the groove on the back of the bar to SLIDE DOWN over the knob of the top hub of the frame. (see Figure 2)

3

Using the LOWEST HOLE, push the top of the next bar onto the knob of the next hub. Repeat until the bar is secure to the frame in 4 places. (see Figure 3)

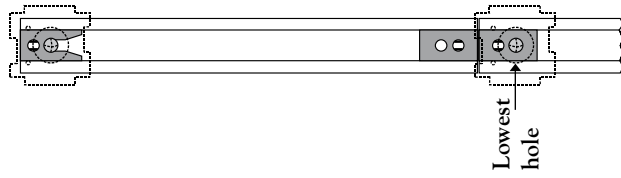
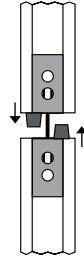


Figure 3



NOTE: Make sure that the black teeth on the top and bottom of bars are inserted into the slots provided.

4

After attaching the 3-in-1 bars to the frame, take your light and SLIDE IT DOWN, over the top of the 3-in-1 bar. (see Figure 4)

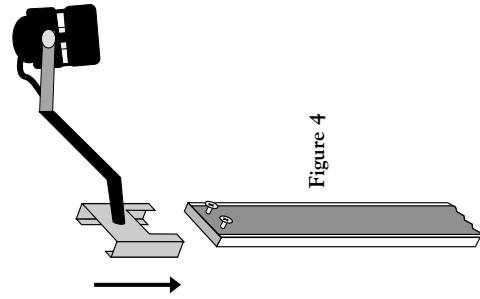


Figure 4

5

Finish setting up display by hanging panels as explained in the Pop Plus / Spider Set-Up Instructions.



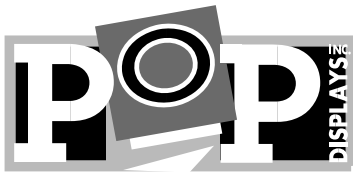
PACKING INSTRUCTIONS

TO TAKE DOWN DISPLAY

1. Remove panels from frame. Be careful to slip notch around top pin.
2. Roll up panels, 2 at a time, placing fabric to fabric.
3. Remove all magnetic bars from frame & store in black cloth bag.
4. Unlatch frame connectors.
5. Collapse frame.

TO PACK CASE

1. If podium kit ordered, place panels in case first, hugging the edges of the case.
2. Place rolled up panels in case - pack loosely around edges of case, leaving room for frame & bars in center.
3. Place frame & bars in center of panels.
4. Slide podium top(s) down edge of case. If shelving is ordered, slide shelf down edge of case on opposite side of podium top(s).



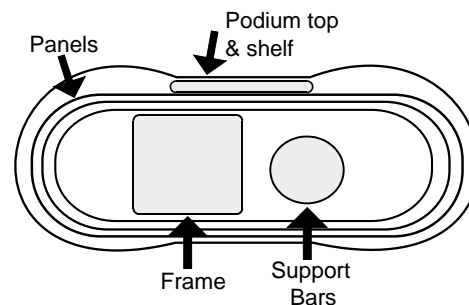
PREMIUM & MINI PREMIUM PACKING INSTRUCTIONS

TO TAKE DOWN DISPLAY

1. Remove panels from frame. Be careful to slip notch around top pin.
2. Roll up panels, 2 at a time, placing fabric to fabric.
3. Remove all magnetic bars from frame & store in black cloth bag.
4. Unlatch frame connectors.
5. Collapse frame.

TO PACK CASE

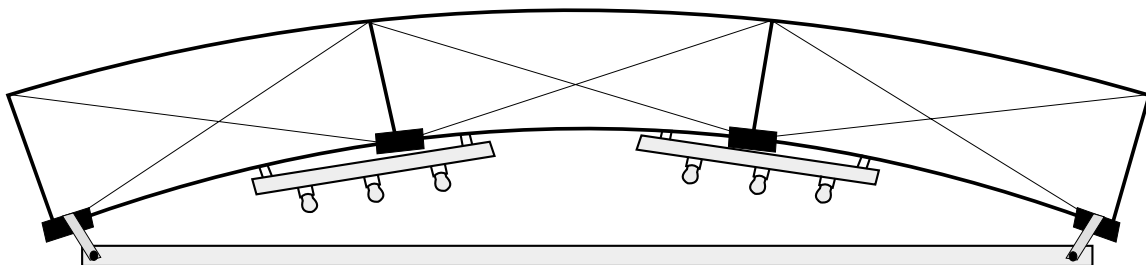
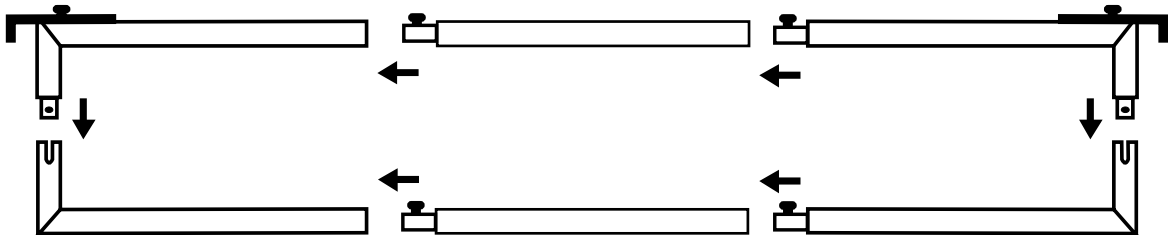
1. If podium kit ordered, place panels in case first, hugging the edges of the case.
2. Place rolled up panels, hugging the inside of the podium panels.
3. Place frame & bars in the center of the case.
4. If backlit header is ordered, place in the center of the case.
5. Put the shelf inside the podium top & slide down the side of the case.
6. If lights are ordered, place in light compartment in lid of case & secure straps to close.





BACKLIT HEADER INSTRUCTIONS

1. Slide frames with extensions into frames with channels. Then tighten thumb screws.
2. Place header graphic on the side of the frame with black steel tape.
(You can use A or B magnet on graphic).
3. Place frame on top of PopUp with hook brackets resting on top of outer hub.
4. Place lights to best light up header by hanging hooks over panels in desired location.

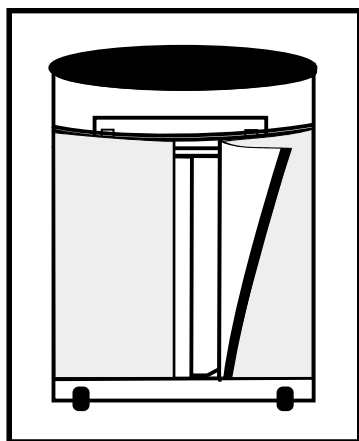




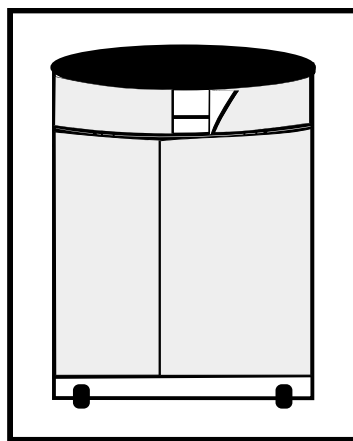
PODIUM KIT SET-UP INSTRUCTIONS

PREMIUM & MINI PREMIUM CASE PODIUM KIT

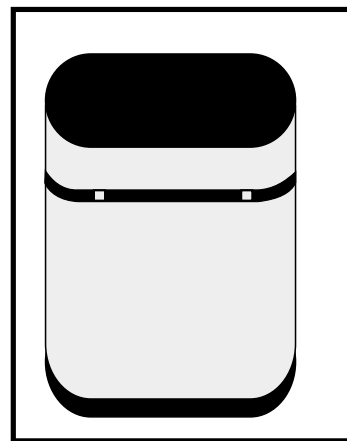
1. To insert internal shelf, hold the shelf with the hole away from the hinged lid and place into case at an angle. Then pull up the shelf to snap into place.
2. Close the lid, but do not lock case so you can have access to the inside of the case.
3. To wrap podium, take the edge of the large wrap with no velcro and place in the center of the back of the case. Rest the bottom of the wrap on the lip, approximately 3" up from floor. Continue the wrap around the case & overlap the edge with the velcro.
4. Take small wrap and repeat procedure above, bottom of this wrap will rest on the bottom of the lid of the case.
5. Place external top on the top of the case to finish the podium.



3.



4.



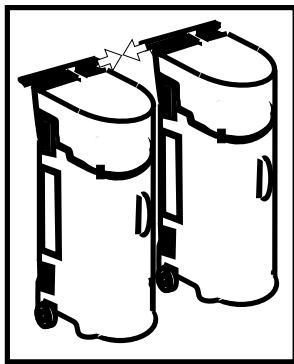
5.



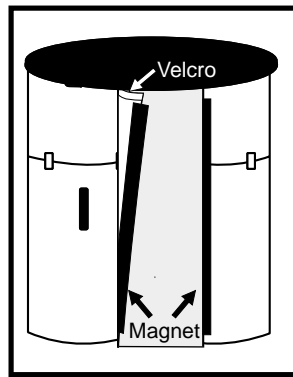
DOUBLE SUPER CASE PODIUM INSTRUCTIONS

1. Place cases together with the handles facing the same direction.
2. Lift sides of podium top & slide together to make the top solid. Place podium top on cases.
Note: Podium top has a 1/4 lip so panels velcro under lip.
3. Take the panel that has the white velcro & metal stiffener bar at the bottom and attach the velcro at the top of the panel to the white velcro on the top.
4. Take one of the panels (that does not have the metal stiffener bar at the bottom) and attach the velcro at the top of the panel to the velcro on one of the rounded ends of the top. Note: colour of velcro is black now.
5. Repeat #2 (the velcro is black now). Then repeat #3. Make sure all panels sit evenly.
6. Where the panels join, pull the rounded panels back a little and attach the magnet on the flat panels. Repeat at every joining (4).

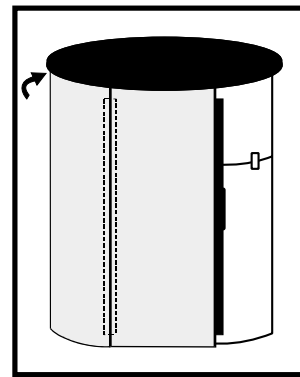
Top A. 



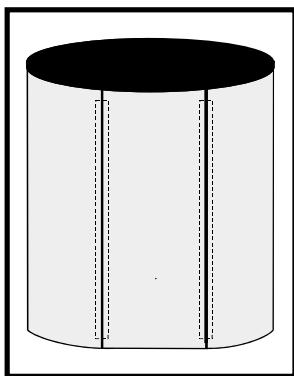
1. & 2.



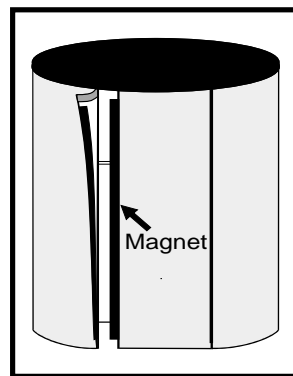
3.



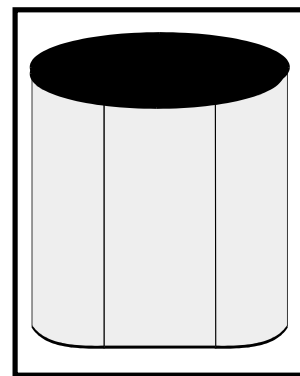
4.



5.

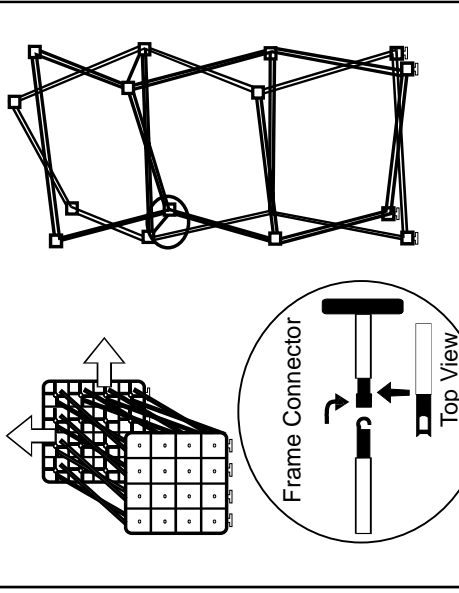


6.

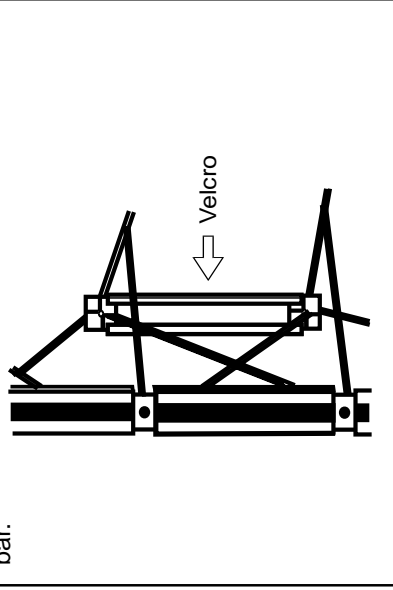


Setup Instructions for Shelf Kits

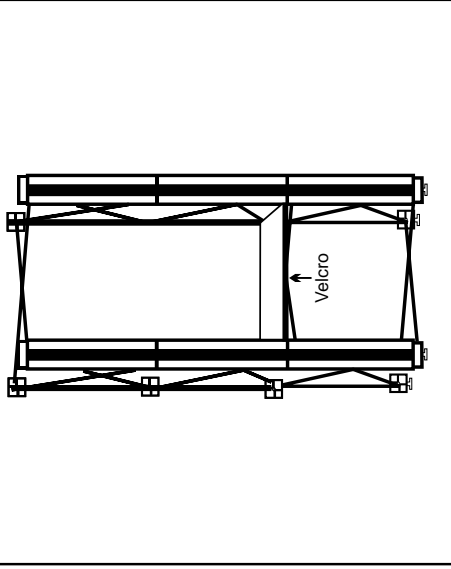
1 Place system frame on floor with feet down. Expand upwards and outwards and secure frame connectors.



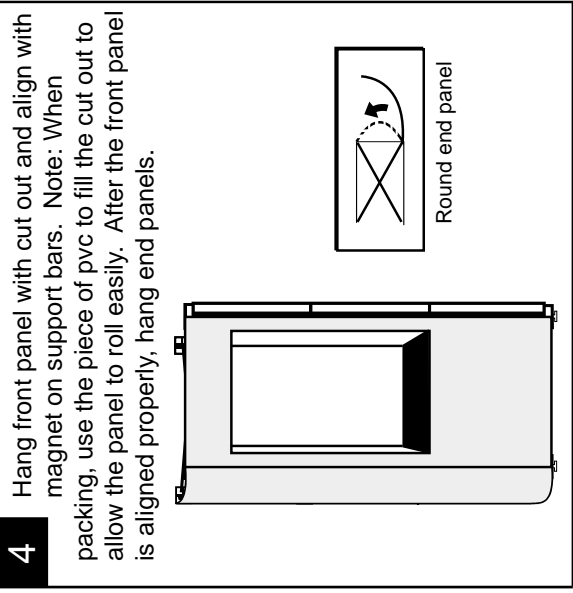
2 Attach support bars to hubs by sliding top of bar on to hub, then snap bottom of bar in place. **NOTE:** Support bars with velcro hook on the edge should face to center of shelf kit. Adjustable shelf kits have velcro loop on edge of channel bar.



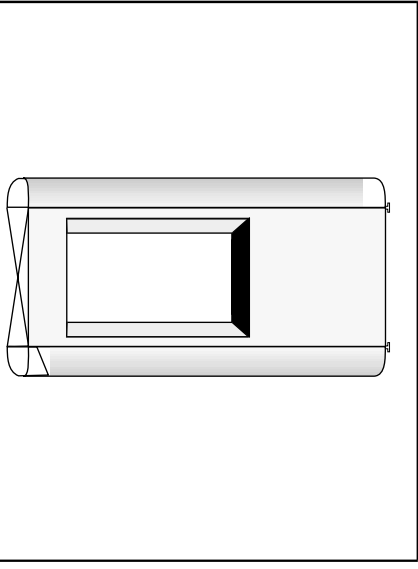
3 Place counter in frame, with velcro facing forward, at desired height (usually 31 H). Please see note below.



4 Hang front panel with cut out and align with magnet on support bars. Note: When packing, use the piece of pvc to fill the cut out to allow the panel to roll easily. After the front panel is aligned properly, hang end panels.



5 Hang side panels which will velcro to the sides of the support bars. Note: For the adjustable shelf kit, the side panels are fabric covered hard board with holes punched for the shelf rods.



Note: If the shelf is not at the 30 or 60 height where the hubs are, insert rods horizontally at the desired height through the sides of the support bars at the front & back. The shelf will have a groove on the bottom which will allow the shelf to sit over the rods.

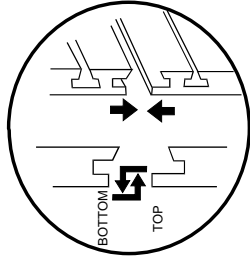
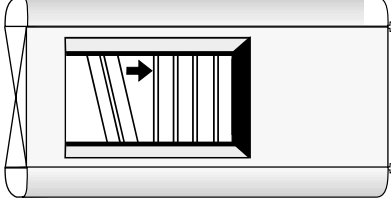
Note: If a light kit was ordered, it must be installed before the back panels are hung. Please refer to page 2 for instructions.

Shelf kits Setup

6

SLATWALL

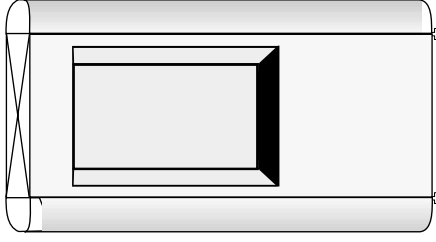
Attach plastic u channels with velcro hook to side panels at the back of the shelf. Be sure that open channel faces inside & channel is resting on counter. Then, slide slatwall between u-channels one at a time. Make sure that the first piece of slatwall is resting on the counter with the widest edge of the slatwall facing down. Then the other pieces of slatwall snap into place.



6

FABRIC

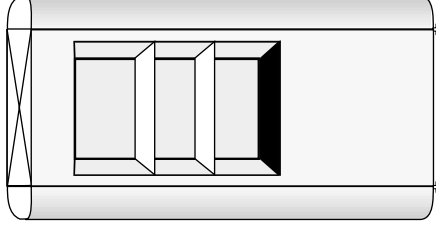
Hang fabric panel at the back with the fabric facing the front of the booth. Align magnet on panel to the magnet on the support bars.



6

ADJUSTABLE

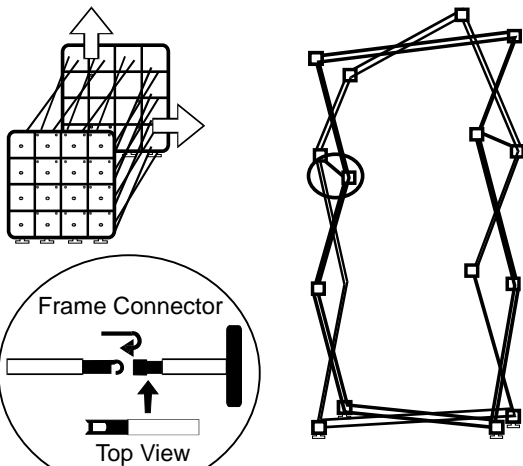
If a back panel is ordered, hang back panel with the fabric facing the front of the booth. Align magnet on panel to the magnet on the support bars. Insert the rods at desired level. Install acrylic shelves either at 45 or 90 degree angle to complete system.



Optional: If a light kit is ordered, apply the u channel to the top area at the same level on both of the side panels. Then slide the light kit along the u channel to the front. NOTE: This must be done BEFORE the back panels are hung.

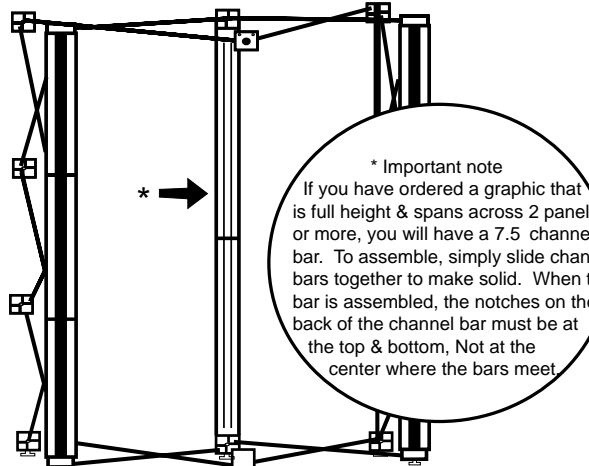
POP-LITE INSTRUCTIONS

1 Place system frame on floor with feet down. Expand upwards and outwards and secure frame connectors.



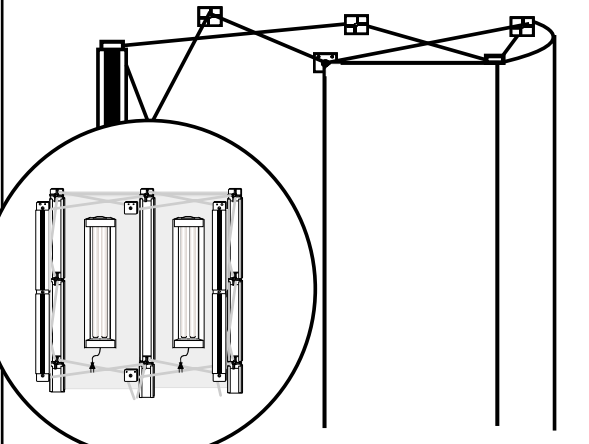
Frame Connector
Top View

2 Attach SAM bars to hubs by sliding top into place, then snap bottom of bar in place.

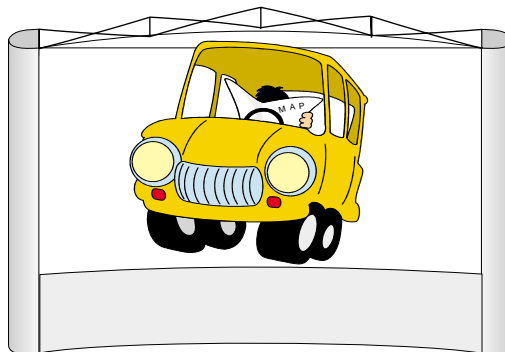
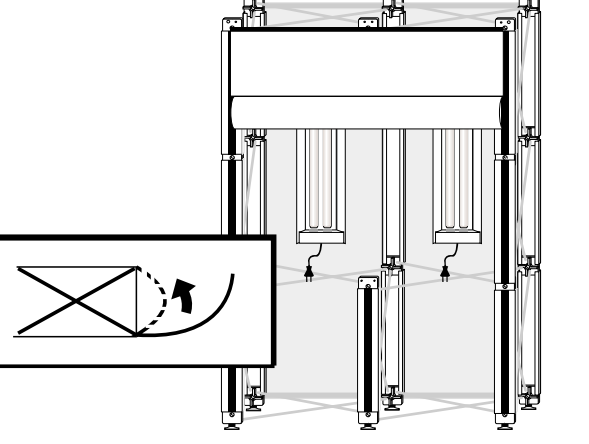


* Important note
If you have ordered a graphic that is full height & spans across 2 panels or more, you will have a 7.5 channel bar. To assemble, simply slide channel bars together to make solid. When the bar is assembled, the notches on the back of the channel bar must be at the top & bottom, Not at the center where the bars meet

3 Hang rear panels as shown. Hook top on first, then let magnetic sides hang naturally. The lights simply velcro into place. Test lights before installing transparency.



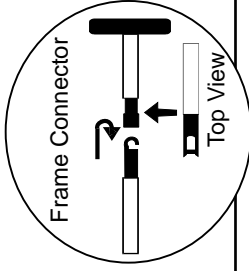
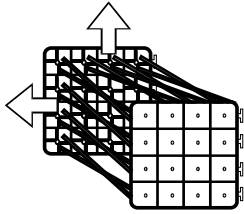
4 Install image by hooking top on first, then roll image down to avoid kinking. Hang radius end panels & exterior fabric panels.



Slatwall Setup Instructions

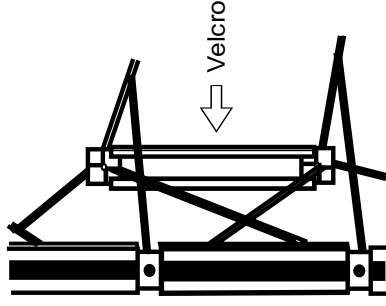
1

Place system frame on floor with feet down. Expand upwards and outwards and secure frame connectors.



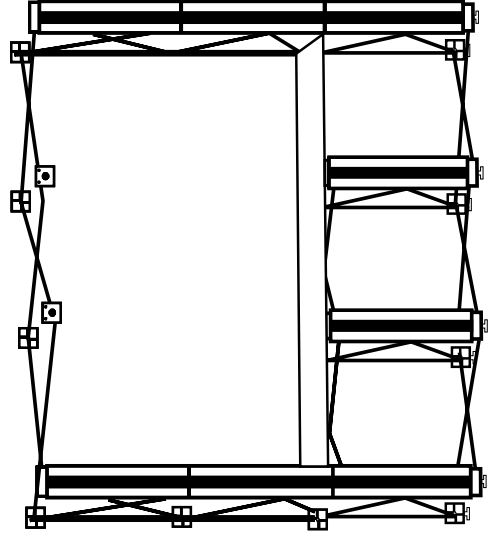
2

Attach SAM bars to hubs by sliding top into place, then snap bottom of bar in place. NOTE: Velcro hook on edge of SAM bars should be at back of display facing where edges of slatwall will be placed.



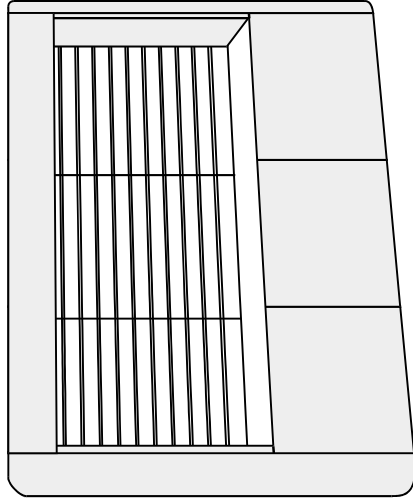
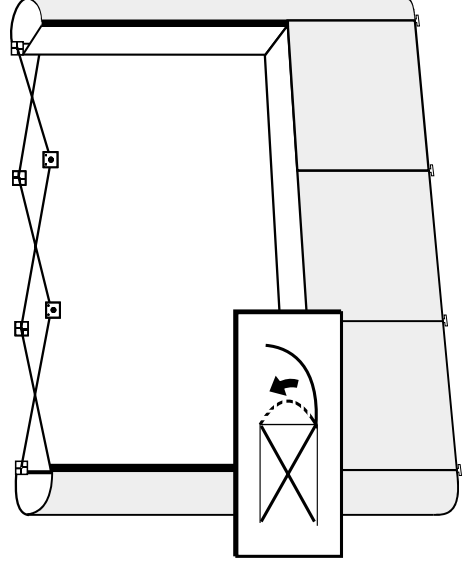
3

Place wooden counters in system (with velcro edge facing front).



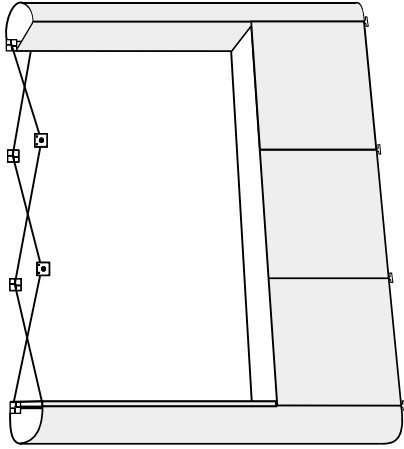
4

Place 31" H fabric panels which velcro to the edge of the counters to stabilize system before installing slatwall.

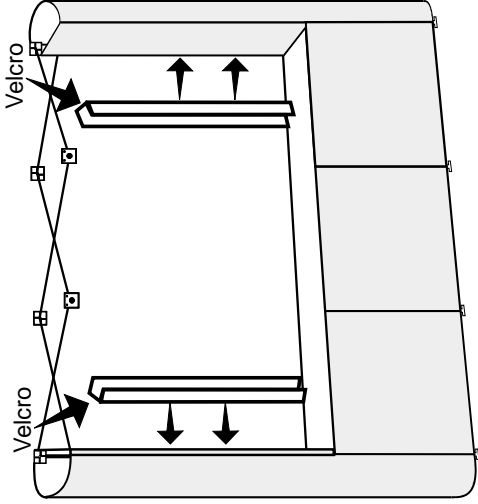


Slatwall Setup

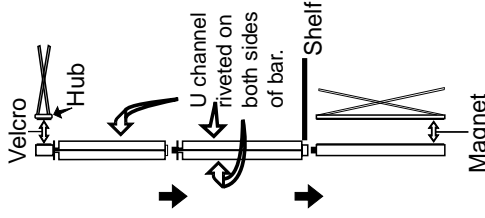
5 Install side panels which have one side velcro and the other is hinged & has magnet. Insert by attaching the panel to the hook on top and aligning with the magnet on front, then bend along the side & velcro to back support bars.



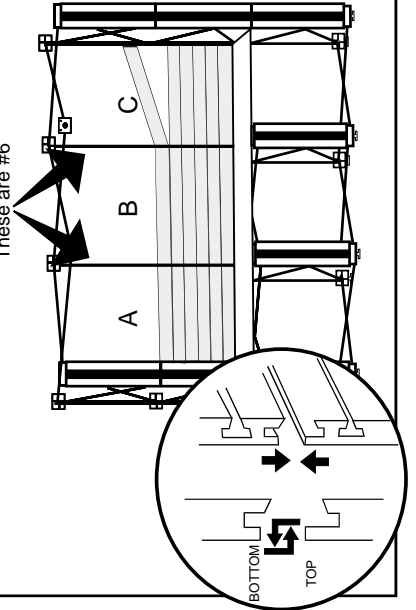
6 Velcro plastic u channel to rear of fabric side panel. Be sure that open channel faces inside & the channel rests on counter.



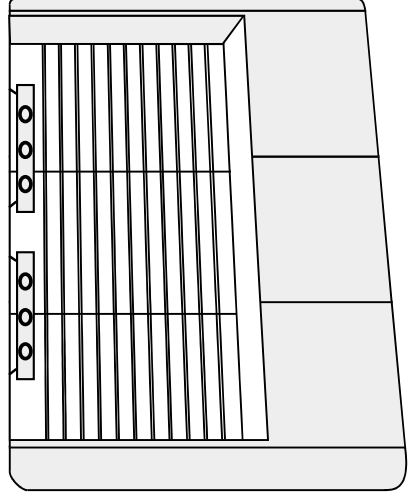
7 Install the 3 pieces of the 1 square tubing into 1 - 89.25 piece. The bottom section has a magnet strip which attaches to the magnet on the support bar at the back & bottom of the display. The middle piece which slips over the top of the bottom piece has 2 u channel moldings joined together which starts above the shelf & has a plastic connector piece on top. The top piece slips over the middle piece. The top piece should have a velcro strip which attaches to the hub at the top.



8 Insert slatwall pieces between plastic u-channel one at a time. Make sure the first piece of slatwall is resting on the counter, widest edge of slatwall facing downward. Then other pieces snap into place. Slatwall is marked A, B, C. B is for the center as it is wider than A or C. A & C are for the sides.



9 Hang 3 socket lights from the top of the slatwall or on the top of the X (frame) on the top of the display. Assemble header frame by sliding frame together & tightening thumb screws. Hang frame using brackets to secure.



10 Header graphic or fabric panel is used in the center top of the display. Insert graphic or panel with magnets on the metal frame and hang across the front of display.

