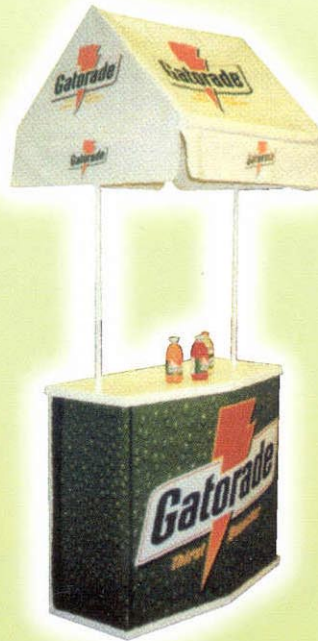


Portable Display Units & Sampling Stations



Base Counter Kit



Canopy Kit



Econo-Counter Kit

Our Display System & Sampling Stations have been used effectively by major corporations and small businesses for such events as:

- Indoor Demonstrations
- Product Sampling
- Credit Card Launches
- Information Kiosks
- Magazine & Newspaper Stands
- Special Event Marketing
- Buffet Tables
- Golf Course Outdoor Bar
- Trade Shows



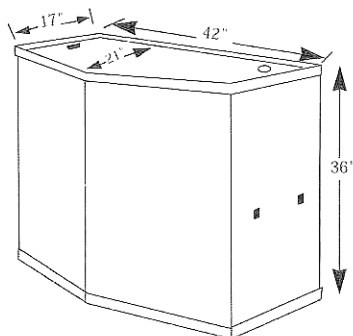
Base with interlocking corner modules



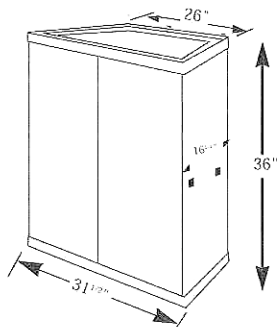
Showcase

All Display Units & Sampling Stations are fully collapsible and fit into our carrying case for **complete portability**

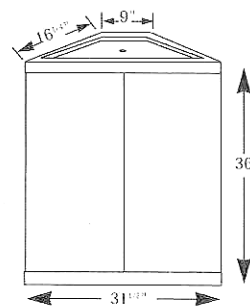
The Portable Display System



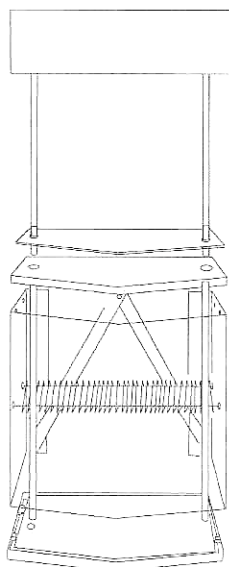
Main module



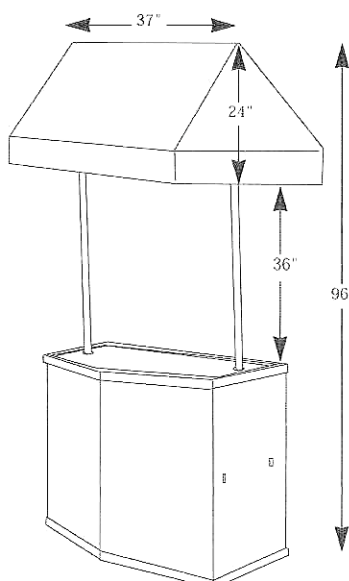
10 degree module



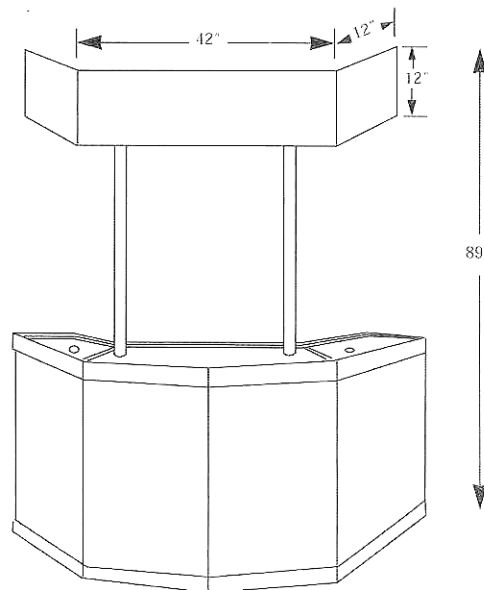
90 degree module



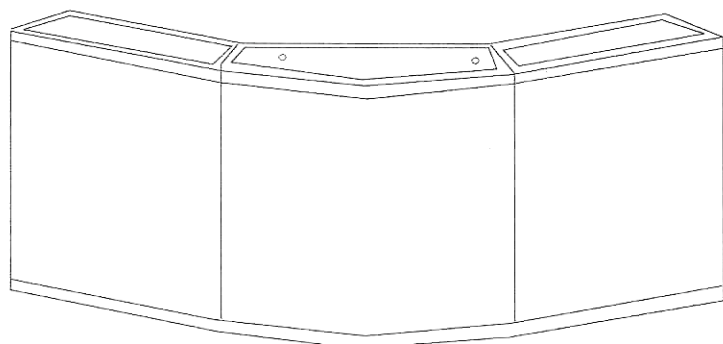
Main module with shelf structure and components shown



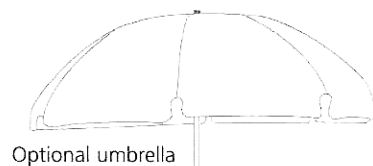
Main module with canopy



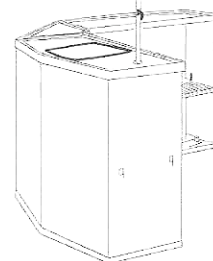
Main module with two 90 degree modules and winged header



Main module with two interlocking 10 degree modules



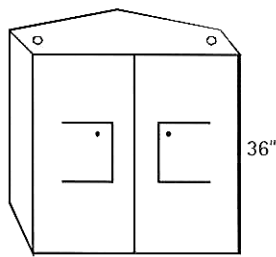
Optional umbrella



Two main modules with centre 90 degree module and optional sink kit

Distributed Worldwide

Printed in Canada



Econo-counter
Back view